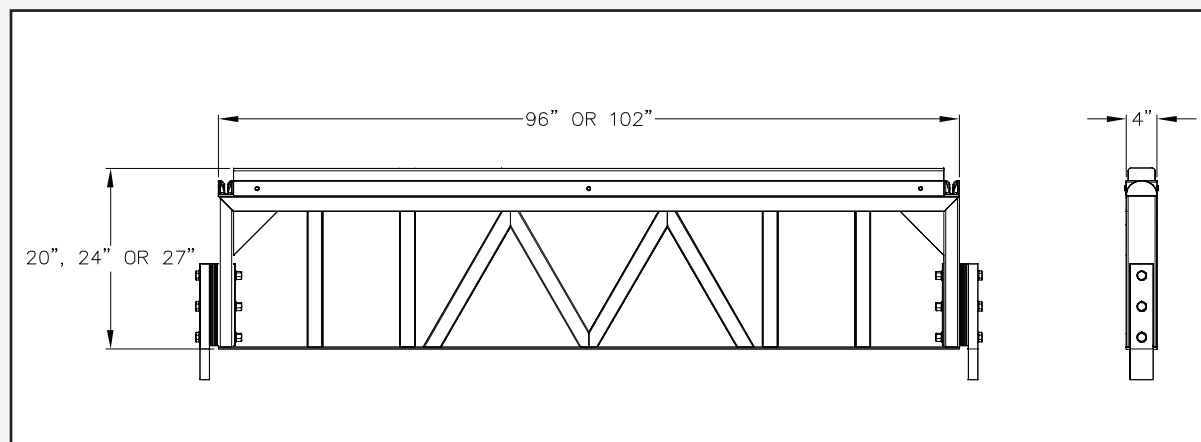


- ▲ Maximum Strength To Weight
- ▲ Manufactured from 6061 alloy.
- ▲ Heavy wall tube where necessary.
- ▲ Minimized weight for ease of handling.
- ▲ Load rated 20,000lb. uniformly distributed weight.
- ▲ Six Standard Models.
- ▲ Fits Most Applications.
- ▲ Product can also be built to your height.
- ▲ Ease of Installation.
- ▲ Mounting hardware included
- ▲ Shims are provided to adjust to your specific trailer dimensions.

LOAD LEVELER



Load Leveler



LOAD LEVELER

Order #	Description	Shipping Weight
4025	Load Leveler 20"High x 102" Wide	63 lbs.
4041	Load Leveler 24"High x 102" Wide	91 lbs.
4053	Load Leveler 27"High x 102" Wide	104 lbs.
4125	Load Leveler 20"High x 96" Wide	60 lbs.
4141	Load Leveler 24"High x 96" Wide	85 lbs.
4153	Load Leveler 27"High x 96" Wide	97 lbs.

MOUNTING HARDWARE INCLUDED



- Strong Mount constructed from 6061 alloy.
- Side shim kit included for a tight fit to your trailer.

Models and/or Specifications Subject to Change Without Notice.

F.O.B. - Fort Lupton CO, Sacramento CA, Salt Lake City UT, Dallas TX, Houston TX, Kansas City MO, Minneapolis MN, Atlanta GA, Pittsburgh PA, Calgary AB (CN), Toronto ON (CN)

Copyright © 2019 Merritt Aluminum Products Company. All Rights Reserved.

