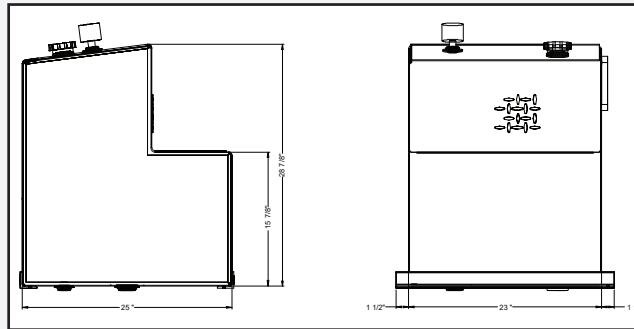
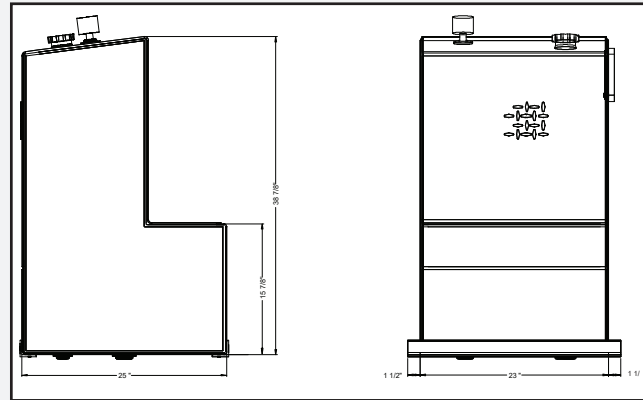
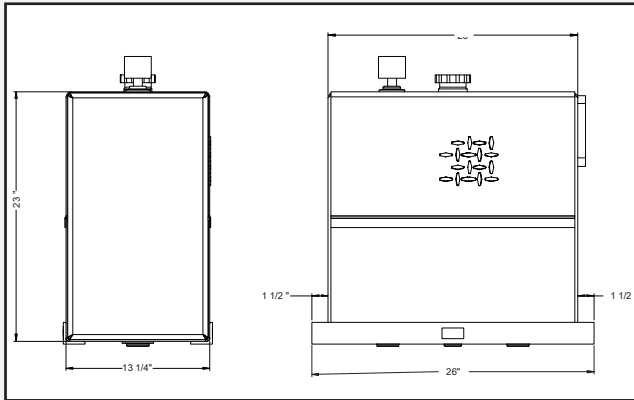


- ▲ Space saving design mounts between the feet of a Merritt Cab Rack.
- ▲ Constructed of durable lightweight aluminum.
- ▲ Long lasting great look.
- ▲ Fluid level sight gauge with thermometer and metal guard for protection.
- ▲ Three Standard Models 30,55 and 70 gallon.
- ▲ Every tank is pressure tested for leaks.
- ▲ Two 2" ports in the bottom.
- ▲ 3/4" magnetic drain plug.
- ▲ Raised filler neck with O-ring sealed anodized cap for a cleaner system.
- ▲ 3/4" vent.

HYDRAULIC TANKS



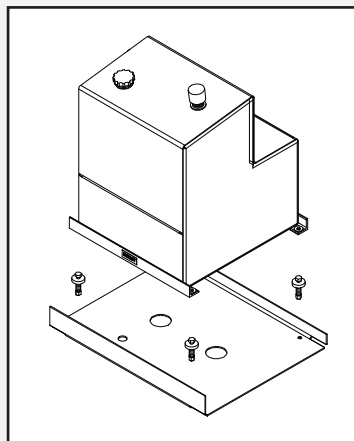
Hydraulic Tanks



HYDRAULIC TANKS

Order #	Description	Shipping Weight
6930	Hydraulic Tank 30 Gallon Capacity	63 Lbs.
6955	Hydraulic Tank 55 Gallon Capacity	79 Lbs.
6970	Hydraulic Tank 70 Gallon Capacity	85 Lbs.

Complete kits include: Reservoir assembly, breather cap, spring mounting kit, and installation plate for Cab Rack between the feet installation. **All Mounting Hardware Included**



Models and/or Specifications Subject to Change Without Notice.

F.O.B. - Fort Lupton CO, Sacramento CA, Salt Lake City UT, Dallas TX, Houston TX, Kansas City MO, Minneapolis MN, Atlanta GA, Pittsburgh PA, Calgary AB (CN), Toronto ON (CN)

Copyright © 2019 Merritt Aluminum Products Company. All Rights Reserved.

